

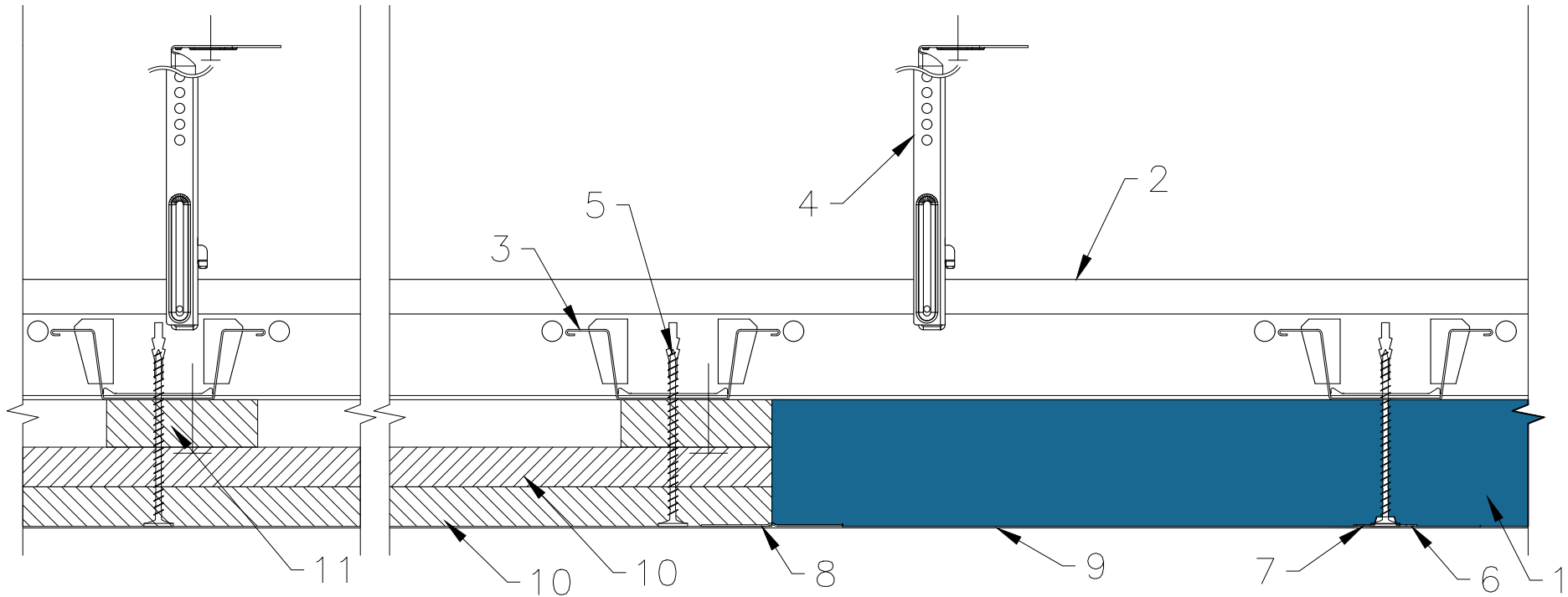
Transition solution

Plasterboard can be rendered, in the same way as the Mono Acoustic panels, or it can be painted.

Either vertically or horizontally, the connection between Mono Acoustic and plasterboard can be installed in accordance with the principles shown in the detail.

Joint filling: Powder filler → tape → Powder filler → Elegant Render

1. Rockfon® Mono® Acoustic panel
2. Chicago Metallic™ Monolithic main runner T35
3. Chicago Metallic™ Monolithic cross furring channel
4. Nonius Hanger
5. Standard screw
6. Fastening washer
7. Rockfon® Mono® Acoustic Filler
8. Rockfon® Mono® Acoustic Tape
9. Rockfon® Mono® Acoustic Elegant Render
10. Plasterboard (12.5mm)
11. Plasterboard (15mm)



All screws and other fastenings shown are indicative and illustrative only.
Specific fasteners should be chosen dependent on substrates and materials being used.

Information:

Rockfon Mono FE
Transition Detail
Horizontal Plasterboard Transition

Date:

06-07-2023

Drawing No.:

SCA-02-T35-FE-22

Contact information:

info@rockfon.dk

Drawing Type:

TECHNICAL

Drawn by:

OPTS

Scale:

1:2

Revision No.:

1



We kindly draw your attention to the fact that the above drawings should be considered as guidelines and therefore are without responsibility on the part of Rockfon.